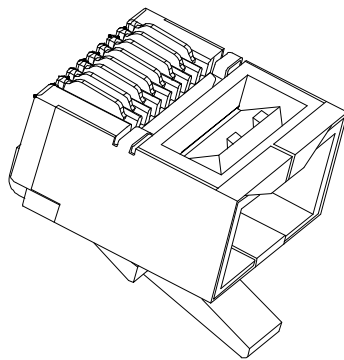
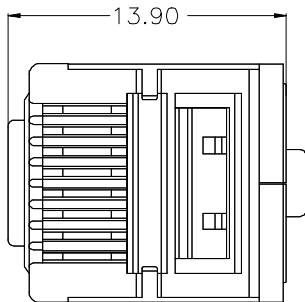


1 2 3 4 5 6 7 8 9

F

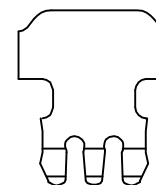
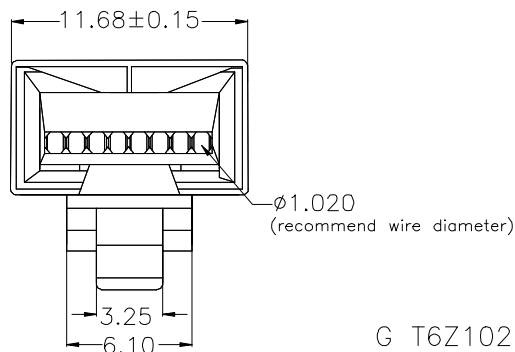
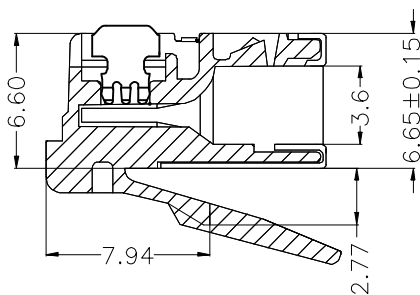


MATERIAL:
HOUSING:PC,UL94V-0
SHELL:BRASS
TERMINAL:COPPER ALLOY

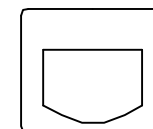
ELECTRICAL:
VOLTAGE:125V VOLTS AC
CURRENT RATING:1.5AMP
DIELECTRIC STRENGTH:1000V AC RMS 50HZ,1MIN
INSULATION RESISTANCE:1000 MEGA OHMS MIN@500VDC
CONTACT RESISTANCE:50 MILLIOHMS MAX
OPERATING TEMPERATURE:-40°C~+80°C
ALL MATERIALS MUST MEET GREENCONN
HAZARDOUS SUBSTANCES CONTROL STANDARDS.

E

D



BINARY PIECE STRAND WIRE



ROUND WIRE

C

B

Ordering Information

G T6Z102- 08 XX A 005 M X B X

No.of pins: 08
Standard Plating: 62=Gold 50u"/Tin, 09=Gold 3u", 02=Gold Flash
Color: F=Transparent
Standard Packing: N=PE Bag,

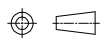
A



Website:www.greenconn.com
E-mail:sales@greenconn.com

REV. 01 UNIT. mm SCALE. 1:1

3RD.ANG PROJ.



PAGE. 1/1

GENERAL TOLERANCE

X. ±5.0'	X. ±0.35
.X' ±3.0'	.X ±0.30
.XX' ±2.0'	.XX ±0.25
.XXX' ±1.0'	.XXX ±0.10

DESIGNED:

DATE:

CHECKED:

DATE:

APPROVED:

DATE:

DWG. NO.

GT6Z102-CA005MB

PART NO.

GT6Z102-08XXA005MXXB

TITLE.

RJ45 8P8C CAT5E短体屏蔽水晶头

1 2 3 4 5 6 7 8 9