

1 2 3 4 5 6 7 8 9

F

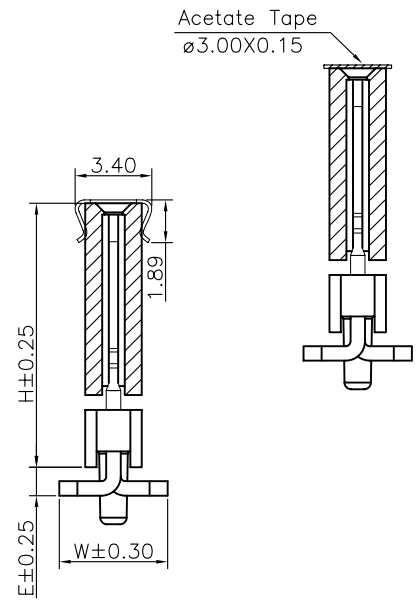
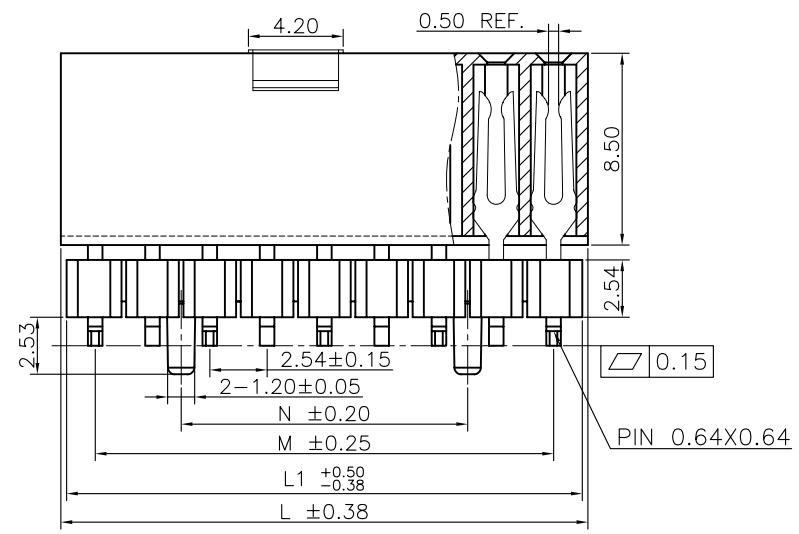
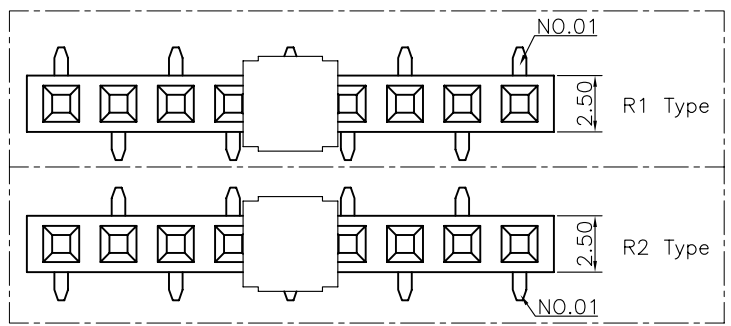
E

D

C

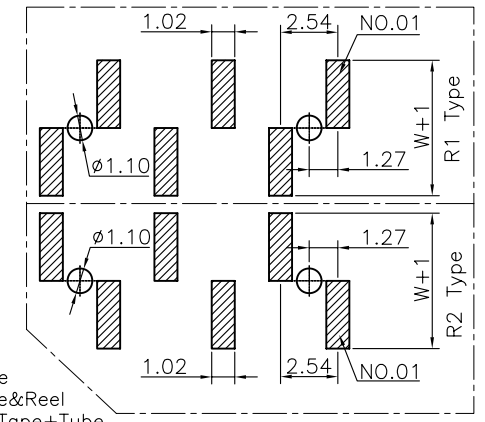
B

A



Specifications
 Current Rating:3.0Amp
 Insulation Resistance:1000MΩMin.
 Dielectric Withstanding Voltage:600VAC
 Contact Resistance:20mΩMax.
 Operating Temperature:-40°C to +105°C
 Materials
 Contact Material:
 Phosphor Bronze
 Insulator Material:
 Nylon(High temperature resistance),
 LCP(High temperature resistance),
 UL 94V-0
 All materials must meet Greenconn
 hazardous substances control standards.

Recommended P.C.Board
 Layout
 (Tolerance:±0.05)



No. of PIN/ROW	Dimension Information			
	M	L	L1	N
05	10.16	13.20	12.70	2.54
06	12.70	15.74	15.24	5.08
07	15.24	18.28	17.78	7.62
08	17.78	20.82	20.32	10.16
09	20.32	23.36	22.86	12.70
10	22.86	25.90	25.40	15.24
11	25.40	28.44	27.94	17.78
12	27.94	30.98	30.48	20.32
13	30.48	33.52	33.02	22.86
14	33.02	36.06	35.56	25.40
15	35.56	38.60	38.10	27.94
16	38.10	41.14	40.64	30.48
17	40.64	43.68	43.18	33.02
18	43.18	46.22	45.72	35.56
19	45.72	48.76	48.26	38.10
20	48.26	51.30	50.80	40.64
21	50.80	53.84	53.34	43.18
22	53.34	56.38	55.88	45.72
23	55.88	58.92	58.42	48.26
24	58.42	61.46	60.96	50.80
25	60.96	64.00	63.50	53.34
26	63.50	66.54	66.04	55.88
27	66.04	69.08	68.58	58.42
28	68.58	71.62	71.12	60.96
29	71.12	74.16	73.66	63.50
30	73.66	76.70	76.20	66.04
31	76.20	79.24	78.74	68.58
32	78.74	81.78	81.28	71.12
33	81.28	84.32	83.82	73.66
34	83.82	86.86	86.36	76.20
35	86.36	89.40	88.90	78.74
36	88.90	91.94	91.44	81.28
37	91.44	94.48	93.98	83.82
38	93.98	97.02	96.52	86.36
39	96.52	99.56	99.06	88.90
40	99.06	102.10	101.60	91.44

Ordering Information

C SHC125 - XX XX B XXX X

Plastic specifications
 1=Single row
 2=Dual row
 3=Tripe row
 4=Quadruple

Water code

No. of Pins per Row
 05~40

Positioning column information
 A=No locating post
 B=Round post
 C=Square post

Plating code
 01=Tin
 02=Gold Flash
 05=Gold Flash/Tin
 22=Matte Tin

Pin length
 See the drawing

Insulator Material
 R=Nylon(Halogen Free)
 C=LCP

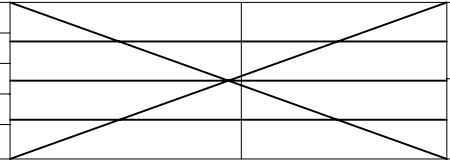
Color
 1=Black
 2=White
 3=Yellow
 E=Beige

Contact Material
 A/S/K/T=Phosphor Bronze

Packing code
 C=Tube
 D=Tape&Reel
 E=Cap+Tube
 F=Cap+Tape&Reel
 G=Acetate Tape+Tube
 H=Acetate Tape+Tape&Reel

格稜股份有限公司
Greenconn Corporation

GENERAL TOLERANCE	
X.*±5.0°	X.±0.30
.X*±3.0°	.X±0.25
.XX*±2.0°	.XX±0.15
.XXX*±1.0°	.XXX±0.10



DWG. NO.
 CSHC125-CBXX

PART NO.
 CSHC125-XXXX BXXX X1AX

TITLE.
 2.54 FEMALE HEADER
 SINGLE ROW SMT TYPE
 CONNECTOR

1 2 3 4 5 6 7 8 9

F

E

D

C

B

A