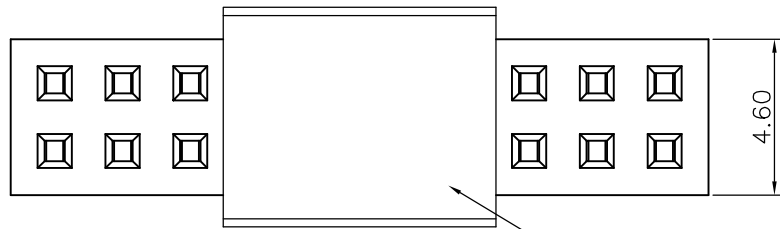


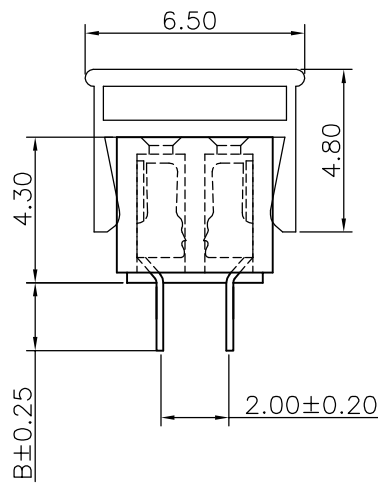
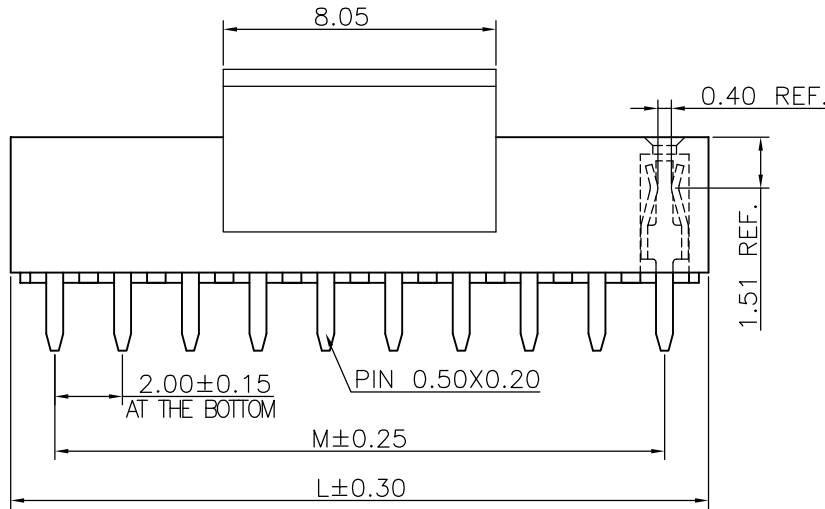
1 2 3 4 5 6 7 8 9

F



The cap used above 4 pins

E



Specifications  
 Current Rating: 2.0Amp  
 Insulation Resistance: 1000MΩMin.  
 Dielectric Withstanding Voltage: 500VAC  
 Contact Resistance: 20mΩMax.  
 Operating Temperature: -40°C to +105°C  
 Materials  
 Contact Material: Phosphor Bronze  
 Insulator Material:  
 PBT (Not resistant to high temperature),  
 Nylon (High temperature resistance),  
 LCP (High temperature resistance),  
 UL 94V-0  
 All materials must meet Greenconn  
 hazardous substances control standards.

F

E

D

D

C

C

No. of PIN/ROW	Dimension Information	
	M	L
02	2.00	4.60
03	4.00	6.60
04	6.00	8.60
05	8.00	10.60
06	10.00	12.60
07	12.00	14.60
08	14.00	16.60
09	16.00	18.60
10	18.00	20.60
11	20.00	22.60
12	22.00	24.60
13	24.00	26.60
14	26.00	28.60
15	28.00	30.60
16	30.00	32.60
17	32.00	34.60
18	34.00	36.60
19	36.00	38.60
20	38.00	40.60
21	40.00	42.60
22	42.00	44.60
23	44.00	46.60
24	46.00	48.60
25	48.00	50.60
26	50.00	52.60
27	52.00	54.60
28	54.00	56.60
29	56.00	58.60
30	58.00	60.60
31	60.00	62.60
32	62.00	64.60
33	64.00	66.60
34	66.00	68.60
35	68.00	70.60
36	70.00	72.60
37	72.00	74.60
38	74.00	76.60
39	76.00	78.60
40	78.00	80.60

### Ordering Information

CSFA201 - XX XX A XXX X 1 S X

Plastic specifications  
 1=Single row  
 2=Dual row  
 3=Tripe row  
 4=Quadruple

Water code

No. of Pins per Row  
 02~40

Positioning column information  
 A=No locating post  
 B=Round post  
 C=Square post

Plating code  
 01=Tin  
 02=Gold Flash  
 05=Gold Flash/Tin  
 22=Matte Tin

Pin length  
 See the drawing

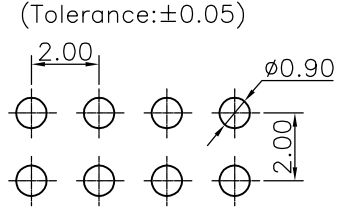
Insulator Material  
 A=PBT  
 R=Nylon(Halogen Free)  
 C=LCP

Color  
 1=Black  
 2=White  
 3=Yellow  
 E=Beige

Contact Material  
 A/S/K/T=Phosphor Bronze

Packing code  
 B=Tray  
 C=Tube  
 D=Tape&Reel  
 E=Cap+Tube  
 F=Cap+Tape&Reel

### Recommended P.C.Board Layout



A

A

<b>格稜股份有限公司</b> <b>Greenconn Corporation</b>				GENERAL TOLERANCE		DESIGNED:	DATE:	DWG. NO.	TITLE.
				X.*±5.0*	X.±0.30				
REV. 01	UNIT. mm	SCALE. 5:1	PAGE. 1/1	.X.*±3.0*	.X.±0.25	CHECKED:	DATE:	PART NO.	
				.XX.*±2.0*	.XX±0.15	CO SIGNED:	DATE:		CSFA201-XXXX AXXX X1SX
				.XXX.*±1.0*	.XXX±0.10	APPROVED:	DATE:		

1 2 3 4 5 6 7 8 9