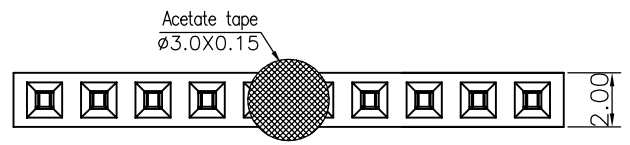
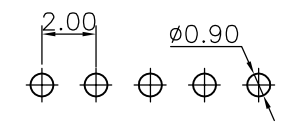


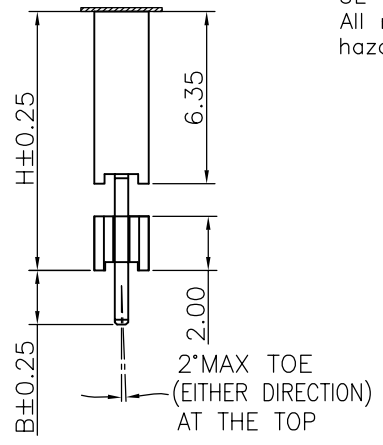
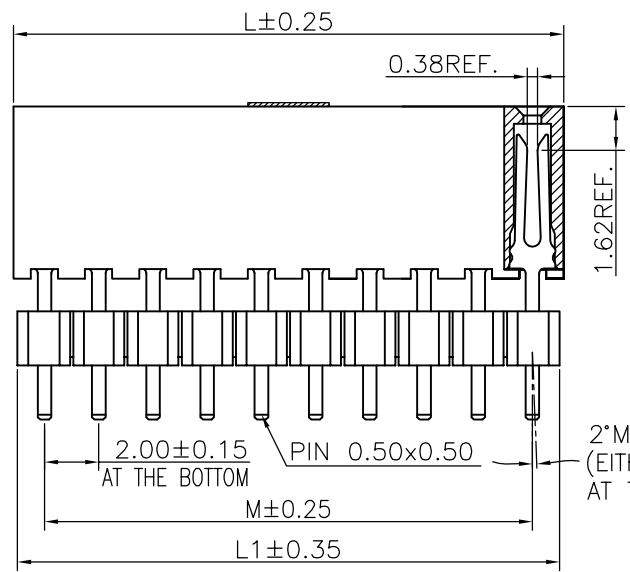
1 2 3 4 5 6 7 8 9



Recommended P.C.Board
Layout
(Tolerance:±0.05)



Specifications
Current Rating:2.0Amp
Insulation Resistance:1000MΩMin.
Dielectric Withstanding Voltage:500VAC
Contact Resistance:20mΩMax.
Operating Temperature:-40°C to +105°C
Materials
Contact Material:Phosphor Bronze
Insulator Material:
PBT(Not resistant to high temperature),
Nylon(High temperature resistance),
LCP(High temperature resistance),
UL 94V-0
All materials must meet Greenconn
hazardous substances control standards.



No. of PIN/ROW	Dimension Information		
	M	L	L1
02	2.00	4.30	4.00
03	4.00	6.30	6.00
04	6.00	8.30	8.00
05	8.00	10.30	10.00
06	10.00	12.30	12.00
07	12.00	14.30	14.00
08	14.00	16.30	16.00
09	16.00	18.30	18.00
10	18.00	20.30	20.00
11	20.00	22.30	22.00
12	22.00	24.30	24.00
13	24.00	26.30	26.00
14	26.00	28.30	28.00
15	28.00	30.30	30.00
16	30.00	32.30	32.00
17	32.00	34.30	34.00
18	34.00	36.30	36.00
19	36.00	38.30	38.00
20	38.00	40.30	40.00
21	40.00	42.30	42.00
22	42.00	44.30	44.00
23	44.00	46.30	46.00
24	46.00	48.30	48.00
25	48.00	50.30	50.00
26	50.00	52.30	52.00
27	52.00	54.30	54.00
28	54.00	56.30	56.00
29	56.00	58.30	58.00
30	58.00	60.30	60.00
31	60.00	62.30	62.00
32	62.00	64.30	64.00
33	64.00	66.30	66.00
34	66.00	68.30	68.00
35	68.00	70.30	70.00
36	70.00	72.30	72.00
37	72.00	74.30	74.00
38	74.00	76.30	76.00
39	76.00	78.30	78.00
40	78.00	80.30	80.00

Ordering Information

CSFA103 - XX XX A XXX X 1 S X

Plastic specifications
1=Single row
2=Dual row
3=Tripe row
4=Quadruple

Water code

No. of Pins per Row
02~40

Positioning column information
A=No locating post
B=Round post
C=Square post

Plating code
01=Tin
02=Gold Flash
05=Gold Flash/Tin
22=Matte Tin

Pin length
See the drawing

Insulator Material
A=PBT
R=Nylon(Halogen Free)
C=LCP

Color
1=Black
2=White
3=Yellow
E=Beige

Contact Material
A/S/K/T=Phosphor Bronze

Packing code
A=Box
B=Tray
C=Tube
D=Tape&Reel
G=Acetate Tape+Tube
H=Acetate Tape+Tape&Reel

格稜股份有限公司
Greenconn Corporation

GENERAL TOLERANCE	
X.*±5.0°	X.±0.30
.X*±3.0°	.X±0.25
.XX*±2.0°	.XX±0.15
.XXX*±1.0°	.XXX±0.10

DESIGNED:	DATE:
CHECKED:	DATE:
CO SIGNED:	DATE:
APPROVED:	DATE:

DWG. NO.
CSFA103-CAXX

PART NO.
CSFA103-XXXX AXXX X1SX

TITLE.
2.00 FEMALE HEADER
SINGLE ROW DIP TYPE
CONNECTOR

1 2 3 4 5 6 7 8 9