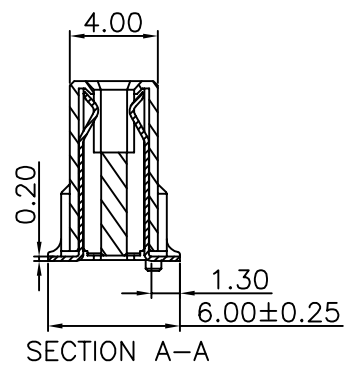
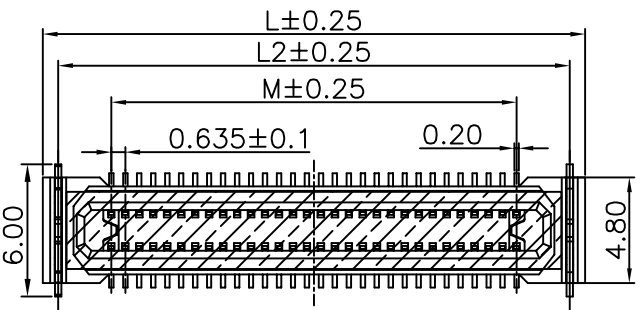


1 2 3 4 5 6 7 8 9

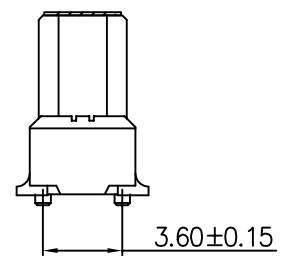
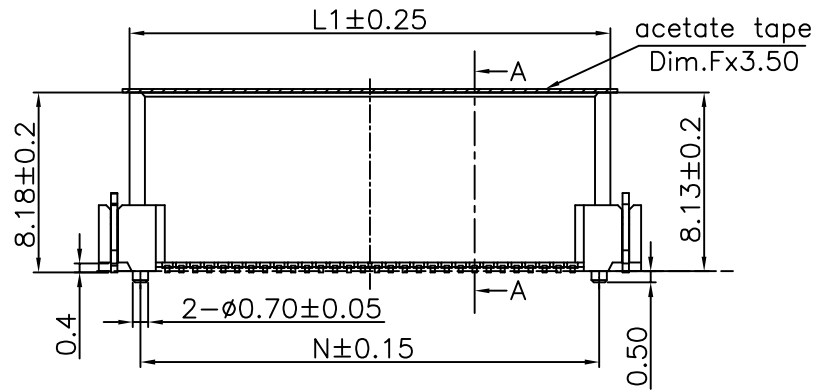
F



Specifications  
 Current Rating:0.5Amp  
 Insulation Resistance:500MΩMin.  
 Dielectric Withstanding Voltage:200VAC  
 Contact Resistance:100mΩMax.  
 Operating Temperature:-40°C to +105°C  
 Materials  
 Contact Material:Phosphor Bronze  
 Insulator Material:High Temperature Thermoplastic, UL 94V-0 LCP or the equivalent material  
 All materials must meet GREENCONN hazardous substances control standards.

E

E



No. of PIN/ROW	Dimension Information					
	L	L2	M	L1	N	F
2x30	24.65	23.25	18.42	21.85	20.80	22.50
2x40	31.00	29.60	24.77	28.20	27.15	28.80

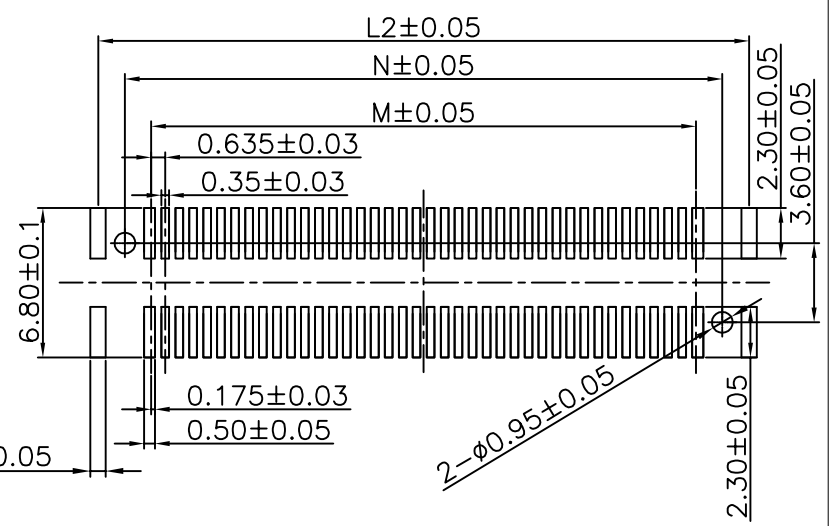
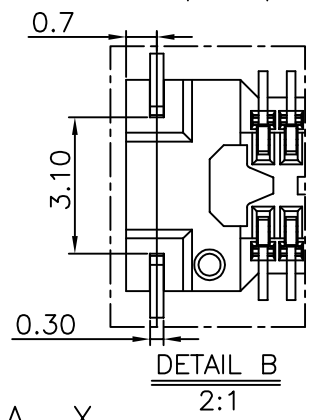
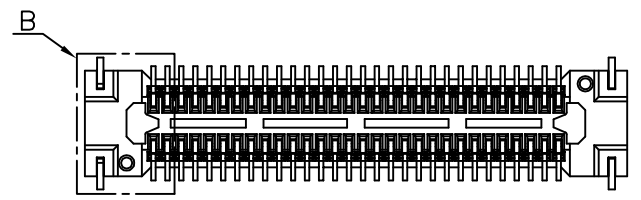
Recommended P.C.Board Layout  
 (Tolerance:±0.05)

D

D

C

C



### Ordering Information

C GZC202 - XX XX B 001 C 1 A X

No. of Pins Per Row 30,40  
 Standard Plating 02=Gold Flash 09/N5=Au plating  
 Color 1=Black  
 Standard Packing H=Acetate tape +Tape&Reel

A

A

 Website:www.greenconn.com E-mail:sales@greenconn.com	3RD.ANG PROJ.	GENERAL TOLERANCE		DESIGNED: CHECKED: APPROVED:	DATE: DATE: DATE:	DWG. NO. CGZC202-CB1CA	TITLE. 0.635mm PITCH BTB FLOATING CONNECTOR
		X.*±5.0°	X.±0.30			PART NO. CGZC202-XXXXB001C1AX	
	PAGE. 1/1	.X*±3.0°	.X±0.25				
REV. B	UNIT. mm	SCALE. 3:1	.XX*±2.0°	.XX±0.15			
			.XXX*±1.0°	.XXX±0.10			

1 2 3 4 5 6 7 8 9