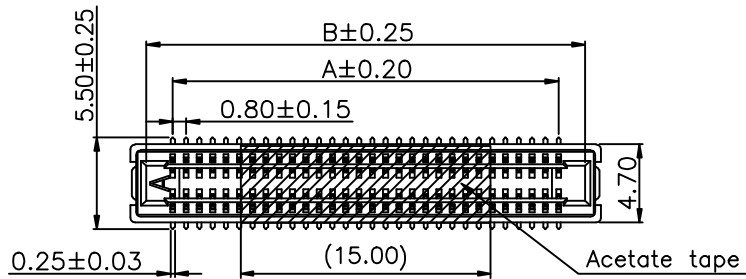
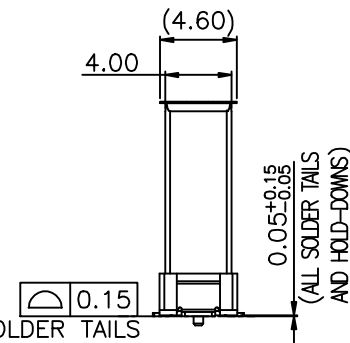
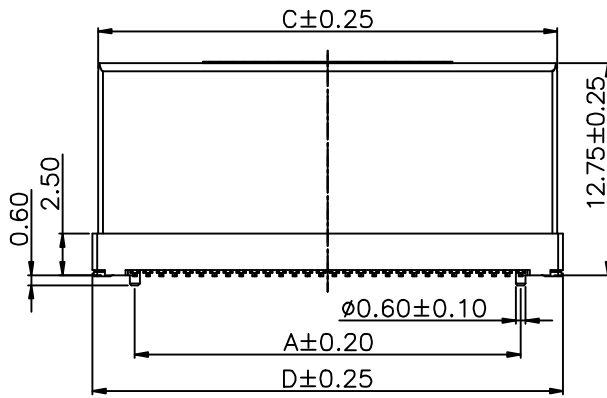


1 2 3 4 5 6 7 8 9

F



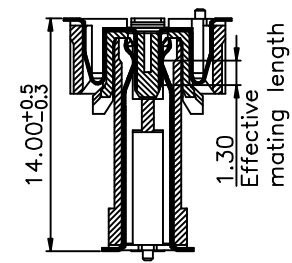
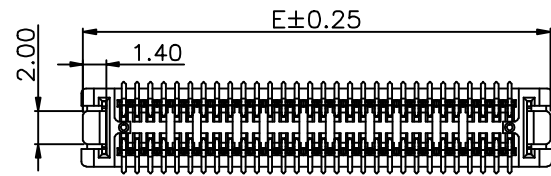
E



(ALL SOLDER TAILS AND HOLD-DOWNS)

D

C



Specifications  
 Current Rating:0.5Amp  
 Insulation Resistance:500MΩMin.  
 Dielectric Withstanding Voltage:250VAC  
 Contact Resistance:100mΩMax.  
 Operating Temperature:-40°C to +105°C  
 Materials  
 Contact Material:Phosphor Bronze  
 Insulator Material:High Temperature Thermoplastic, UL 94V-0 LCP or the equivalent material  
 All materials must meet GREENCONN hazardous substances control standards.

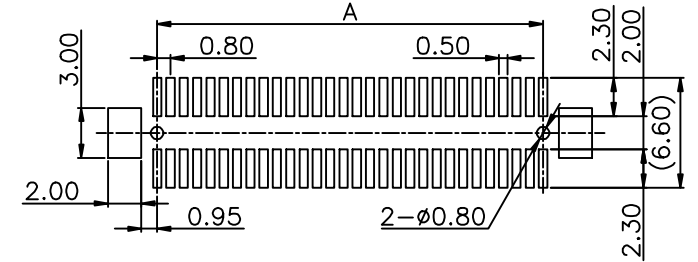
Pin NO.	A	B	C	D	E
2x30	23.20	26.40	27.60	28.30	28.10
2x40	31.20	34.40	35.60	36.30	36.10

B

### Ordering Information

C GBC203 - XX XX B 004 C 1 N X  
 No. Of Pins Per Row 30,40    Standard Plating 14=30u"AU/Gold Flash    Color 1=Black    Standard Packing H=Acetate tape +Tape&Reel

Recommended P.C.Board Layout  
 (Tolerance:±0.05)



A

 Website:www.greenconn.com E-mail:sales@greenconn.com	3RD.ANG PROJ.	GENERAL TOLERANCE		DESIGNED:	DATE:	DWG. NO. CGBC203-CB004	TITLE. 0.80mm PITCH BTB FLOATING CONNECTOR			
		X.±5.0'	X.±0.30					CHECKED:	DATE:	PART NO. CGBC203-XXXXB004C1NX
		.X'±3.0'	.X±0.25					APPROVED:	DATE:	
REV. 01	UNIT. mm	SCALE. 5:2	PAGE. 1/1							

1 2 3 4 5 6 7 8 9

F

E

D

C

B

A