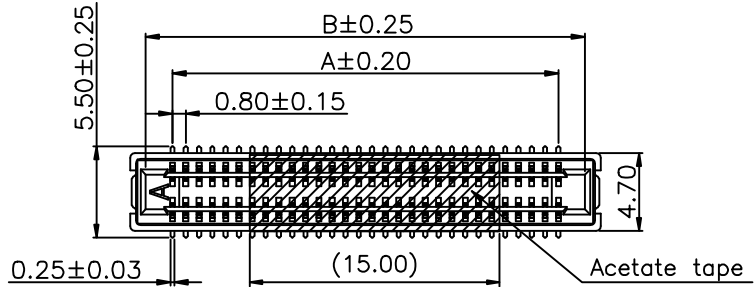
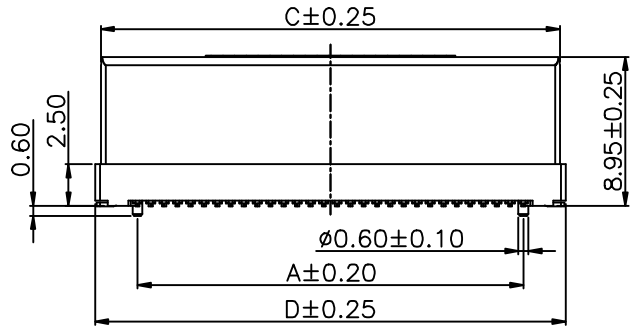


1 2 3 4 5 6 7 8 9

F

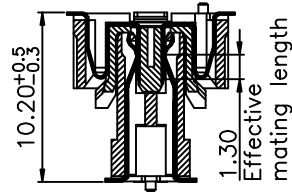
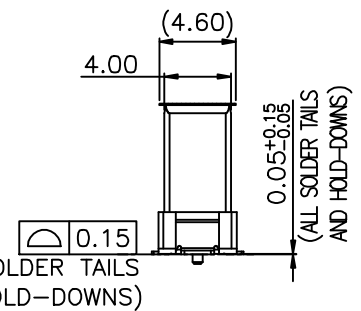
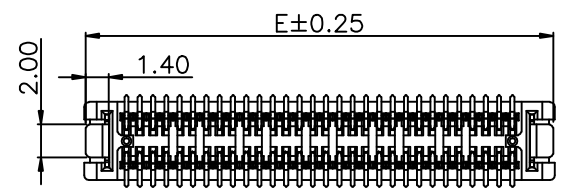


E



D

C



Specifications
 Current Rating:0.5Amp
 Insulation Resistance:500MΩMin.
 Dielectric Withstanding Voltage:250VAC
 Contact Resistance:100mΩMax.
 Operating Temperature:-40°C to +105°C
 Materials
 Contact Material:Phosphor Bronze
 Insulator Material:High Temperature Thermoplastic, UL 94V-0 LCP or the equivalent material
 All materials must meet GREENCONN hazardous substances control standards.

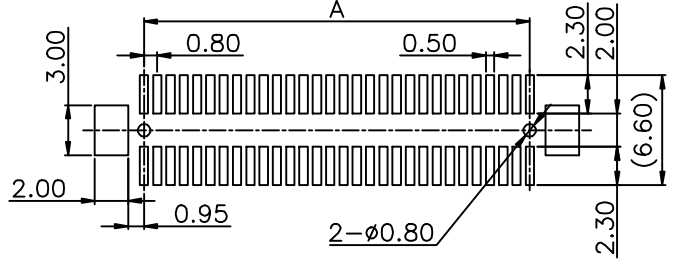
Pin NO.	A	B	C	D	E
2x30	23.20	26.40	27.60	28.30	28.10
2x40	31.20	34.40	35.60	36.30	36.10

B

Ordering Information

C GBC203 - XX XX B 003 C 1 N X
 No. Of Pins Per Row 30,40 Standard Plating 14=30u"AU/Gold Flash Color 1=Black Standard Packing H=Acetate tape +Tape&Reel

Recommended P.C.Board Layout (Tolerance:±0.05)



A

 Website:www.greenconn.com E-mail:sales@greenconn.com	3RD.ANG PROJ.	GENERAL TOLERANCE		DESIGNED: CHECKED: APPROVED:	DATE: DATE: DATE:	DWG. NO. CGBC203-CB003	TITLE. 0.80mm PITCH BTB FLOATING CONNECTOR
		.X'±3.0'	.X±0.25			PART NO. CGBC203-XXXXB003C1NX	
		.XX'±2.0'	.XX±0.15				
		.XXX'±1.0'	.XXX±0.10				
REV. 01	UNIT. mm	SCALE. 5:2	PAGE. 1/1				

1 2 3 4 5 6 7 8 9