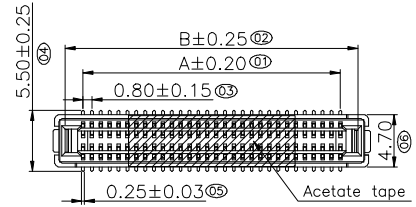


1 2 3 4 5 6 7 8 9

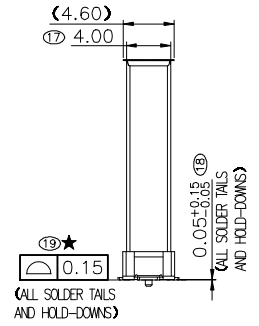
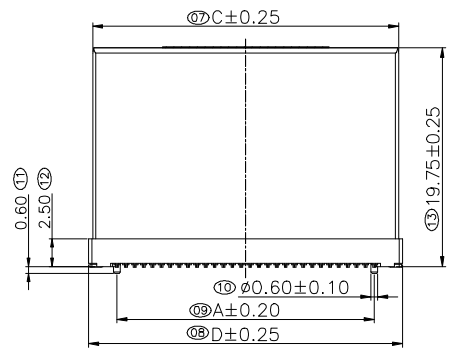
F



| Pin NO. | A | B | C | D | E |
|---------|-------|-------|-------|-------|-------|
| 2x15 | 11.20 | 14.40 | 15.60 | 16.30 | 16.10 |
| 2x30 | 23.20 | 26.40 | 27.60 | 28.30 | 28.10 |
| 2x40 | 31.20 | 34.40 | 35.60 | 36.30 | 36.10 |
| 2x50 | 39.20 | 42.40 | 43.60 | 44.30 | 44.10 |

Specifications
 Current Rating:0.5Amp
 Insulation Resistance:500MΩMin.
 Dielectric Withstanding Voltage:250VAC
 Contact Resistance:100mΩMax.
 Operating Temperature:-40°C to +105°C
 Materials
 Contact Material:Phosphor Bronze
 Insulator Material:High Temperature Thermoplastic, UL 94V-0 LCP or the equivalent material

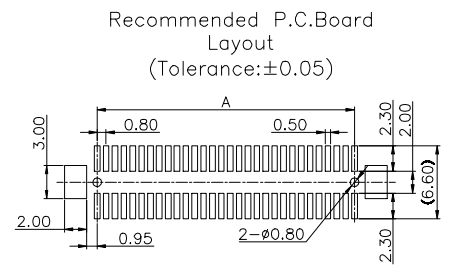
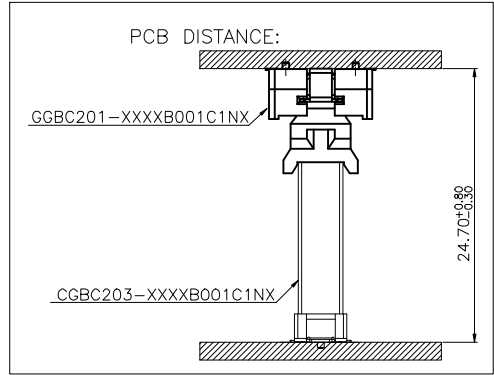
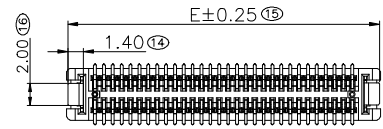
E



★All materials must meet GREENCONN hazardous substances control standards.
 ★: Critical Characteristics.
 indicates product characteristics, functionalities, and manufacturing processes regarding to customer's specifications
 ★: Safety Features
 indicates product characteristics, functionalities, and manufacturing processes complying to legal regulations stated by local government

D

C



Ordering Information

C GBC203 - XX XX B 001 C 1 N X

No. Of Pins Per Row: 15,30,40,50
 Standard Plating: 02=Gold Flash, Selective Plating, 09=3u"AU/Gold Flash, 14=30u"AU/Gold Flash
 Color: 1=Black
 Standard Packing: H=Acetate tape+Tape&Reel, D=Tape&Reel

A

| | | | | | | | |
|---|-------------------|-----------------------------------|-----------|------------------------------------|-------------------------|---|---|
| Website:www.greenconn.com E-mail:sales@greenconn.com | 3RD.ANG PROJ. | GENERAL TOLERANCE | | DESIGNED: CHECKED: APPROVED: | DATE: DATE: DATE: | DWG. NO. CGBC203-CB001 | TITLE. 0.80mm PITCH BTB FLOATING CONNECTOR |
| | | REV. 04 UNIT. mm SCALE. 3:1 | PAGE. 1/1 | | | .X'±5.0' .X'±3.0' .XX'±2.0' .XXX'±1.0' | |

1 2 3 4 5 6 7 8 9

F

E

D

C

B

A