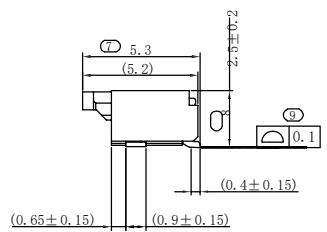
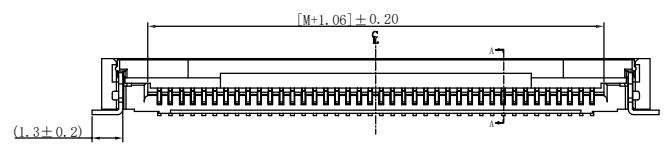


适用PCB布局
RECOMMENDED PCB LAYOUT

- NOTES:
- MATERIAL
 - 1-1. HOUSING: LCP (UL94V-0)
 - 1-2. CONTACT: PHOSPHOR BRONZE
 - 1-3. ACTUATOR: PA9T (UL94V-0)
 - 1-4. FITTING NAIL: PHOSPHOR BRONZE
 - PLATING: SEE PART NUMBER
 - RATING
 - 3-1. OPERATING TEMPERATURE: -40~85°C
 - 3-2. OPERATING VOLTAGE: 50V AC/DC
 - 3-3. CURRENT RATING: 0.5 AMPS
 - 3-4. DIELECTRIC WITHSTANDING VOLTAGE: 125V AC/Minute;
 - 3-5. INSULATION RESISTANCE: 500MΩ Min;
 - 3-6. CONTACT RESISTANCE: 0.035Ω Max;



N: 代表PIN數

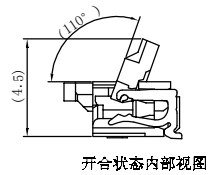
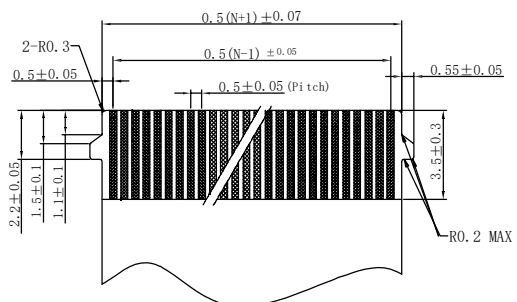
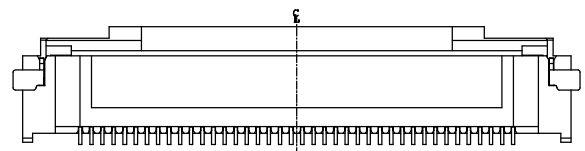
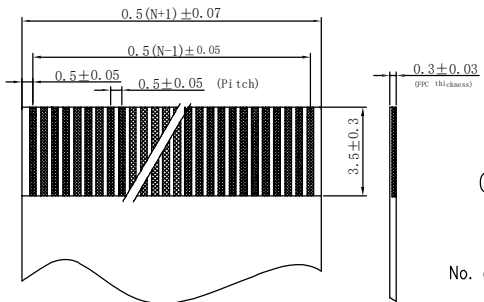


TABLE:

No of Pins	M	L1	L
10	4.5	8.1	9.7
40	19.5	23.1	24.7
60	29.5	33.1	34.7
64	31.5	35.1	36.7
68	33.5	37.1	38.7
80	39.5	43.1	44.7



适用FPC寸法(带勾)
APPLICABLE FPC(+LOCK)



适用FPC寸法
APPLICABLE FPC

C FAD102 - XX XX A 051 C X S X

No. of Pins per Row SEE TABLE

Standard Plating
01=Tin
Selective Plating
02=Gold Flash

Color
1=Black
2=White

Standard Packing
D=Tape&Reel
Selective Packing
.....



3RD ANG PROJ.
PAGE. 1/1

GENERAL TOLERANCE	
X'±5.0'	X.±/
.X'±3.0'	.X±0.25
.XX'±2.0'	.XX±0.20
.XXX'±1.0'	.XXX±0.10

DESIGNED: _____ DATE: _____

CHECKED: _____ DATE: _____

APPROVED: _____ DATE: _____

DWG. NO. CFAD102-CA51CS

PART NO. CFAD102-XXXXA051CXSX

TITLE. PH0.5 FPC H=2.5 90° SMT Type

REV. A UNIT. mm SCALE. 1:1