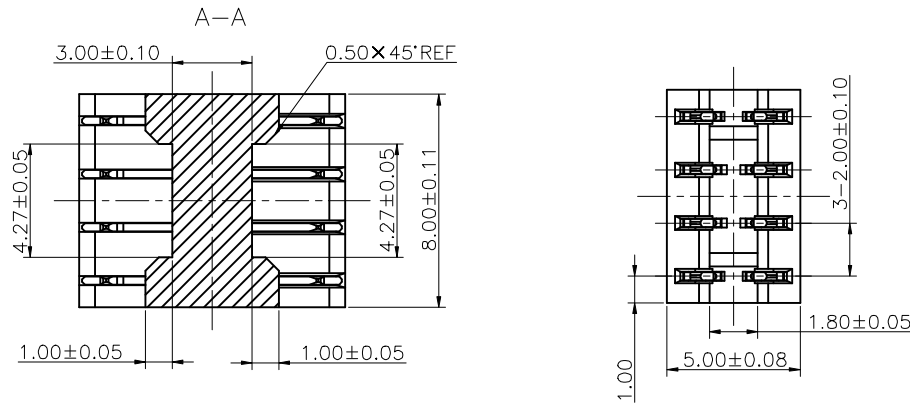


1 2 3 4 5 6 7 8 9

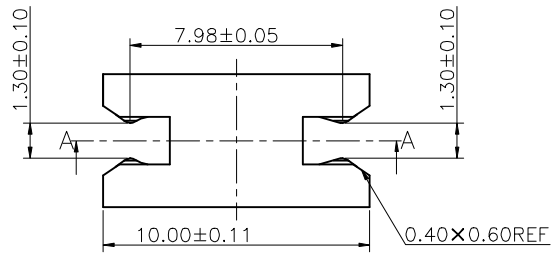
F



Specifications
 Current Rating:2.5Amp
 Insulation Resistance:1000MΩMin.
 Dielectric Withstanding Voltage:300VAC
 Contact Resistance:20mΩMax.
 Operating Temperature:-40°C to +125°C
 Materials
 Contact Material:Phosphor Bronze
 Insulator Material:High Temperature
 Thermoplastic, UL 94V-0 Nylon-10T(Halogen Free)
 or the equivalent material
 All materials must meet GREENCONN
 hazardous substances control standards.

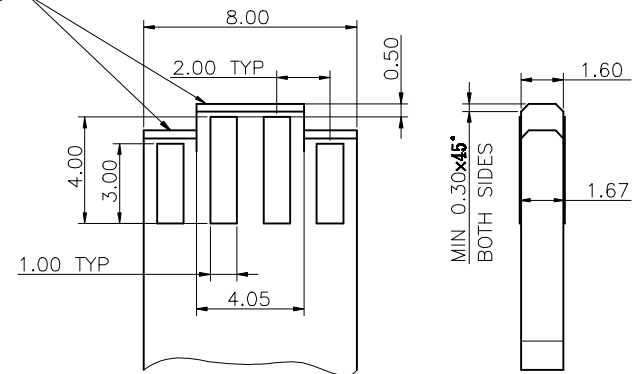
E

D



Recommended P.C.Board
 Layout
 (Tolerance:±0.05)

CHAMFER ON OUTER
 CORNERS 0.5
 PERMISSIBLE



Ordering Information

C BFA201 - XX XX A 001 Y X A X

No. of Pins per Row 04
 Standard Plating R1=Ni-plated:2-5um; Sn-plated:3-8um. 02=Gold Flash
 Color 2=White 1=Black
 Standard Packing N=PE bag

A

<p>Website:www.greenconn.com E-mail:sales@greenconn.com</p>			3RD.ANG PROJ.	GENERAL TOLERANCE X.±5.0' X.±0.30 .X'±3.0' .X±0.25 .XX'±2.0' .XX±0.15 .XXX'±1.0' .XXX±0.10		DESIGNED: CHECKED: APPROVED:	DATE: DATE: DATE:	DWG. NO. CBFA201-A001 PART NO. CBFA201-A001	TITLE. J BTB 0° 8P 2mm double card edge
REV. 02	UNIT. mm	SCALE. 4:1	PAGE. 1/1						

1 2 3 4 5 6 7 8 9

F

E

D

C

B

A