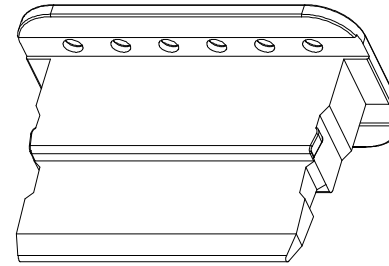
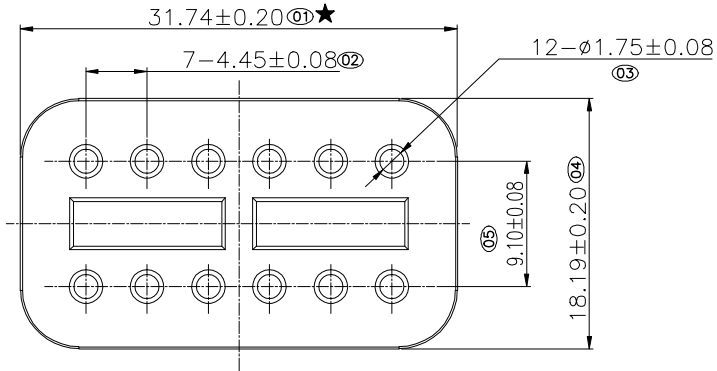


1 2 3 4 5 6 7 8 9

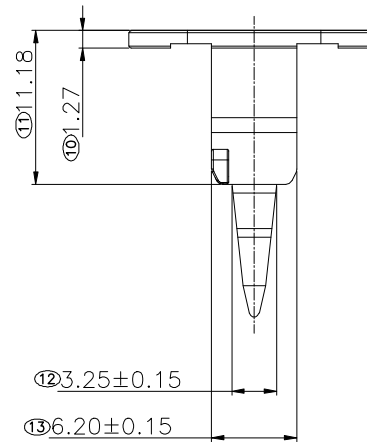
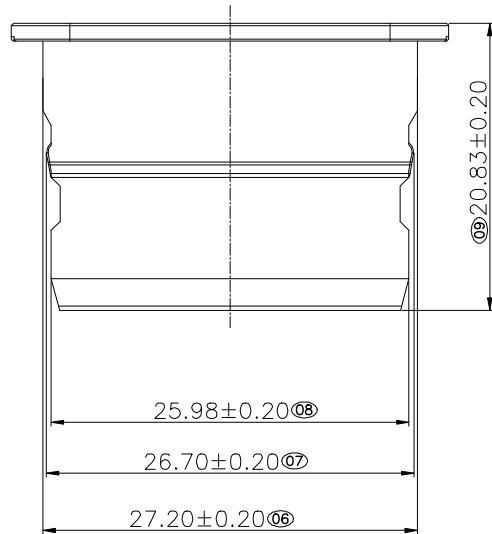
F



12PIN 3D VIEW

E

D



Specifications
 Operating Temperature: -55°C to +125°C
 Material:
 Regular Thermoplastic: Only Suitable for Wave Soldering Process (PBT).
 Color of Material: Green
 ★ All materials must meet Greenconn requirement for environment protection.
 ★★: Critical Characteristics, indicates product characteristics, functionalities, and manufacturing processes regarding to customer's specifications
 ★★: Safety Features, indicates product characteristics, functionalities, and manufacturing processes complying to legal regulations stated by local government

C

B

A

 Website: www.greenconn.com E-mail: sales@greenconn.com			3RD.ANG PROJ. 	GENERAL TOLERANCE		DESIGNED: CHECKED: APPROVED:	DATE: DATE: DATE:	DWG. NO.	TITLE.
				X: ±3.0'	X: ±0.30			AGZ332-HA-N	
REV.	UNIT.	SCALE.	PAGE.	.X' ±2.0'	.X ±0.25	 DESIGNED: CHECKED: APPROVED: 	 DATE: DATE: DATE: 	PART NO.	WEDGE LOCK FOR 12P CONTACT PLUG GT SERIES
A	mm	2:1		1/1	.XX' ±1.0'			.XX ±0.20	
				.XXX' ±0.5'	.XXX ±0.15				

1 2 3 4 5 6 7 8 9