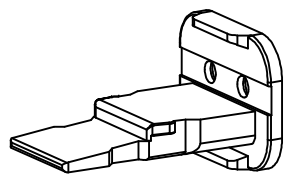
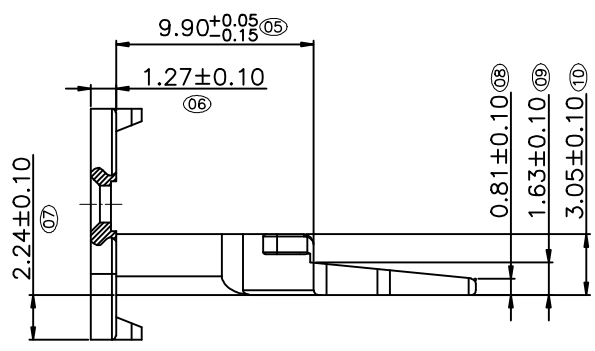
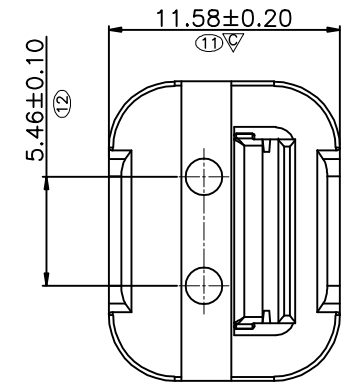
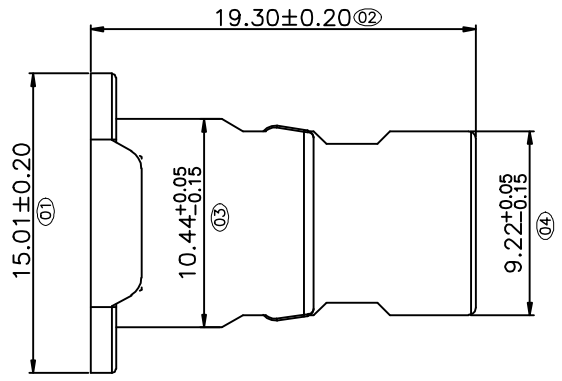


1 2 3 4 5 6 7 8 9

F
E
D
C
B
A



Specifications
 Operating Temperature: -55°C to +125°C
 Material:
 Regular Thermoplastic: Only Suitable for Wave Soldering Process (PBT).
 Color of Material: Green
 ★ All materials must meet Greenconn requirement for environment protection.
 ★★: Critical Characteristics, indicates product characteristics, functionalities, and manufacturing processes regarding to customer's specifications
 ★☆: Safety Features, indicates product characteristics, functionalities, and manufacturing processes complying to legal regulations stated by local government

 Website: www.greenconn.com E-mail: sales@greenconn.com			3RD.ANG PROJ.		GENERAL TOLERANCE		DESIGNED:	DATE:	DWG. NO. AGZ071-HA	TITLE. WEDGE LOCK FOR 2 CONTACT PLUG GT SERIES
					X: ±3.0'	X: ±0.30				
REV. A	UNIT. mm	SCALE. 2:1	PAGE. 1/1	.X' ±2.0'	.X ±0.25	.XX' ±1.0'	.XX ±0.20	APPROVED:	DATE:	PART NO. AGZ071-02AAL
				.XXX' ±0.5'	.XXX ±0.15					

1 2 3 4 5 6 7 8 9