

Female Header

pitch 2.54mm (0.1") | Triple row | R/A

CSHB301 Series

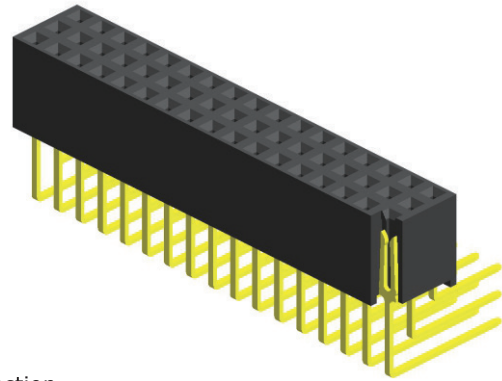
Specifications

Current Rating : 3.0 Ampere
 Insulation Resistance : 1000 MΩ Min
 Dielectric Withstanding : 600V AC
 Contact Resistance : 20 mΩ Max
 Operating Temperature : -40°C to +105°C

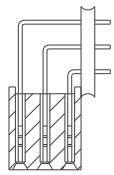
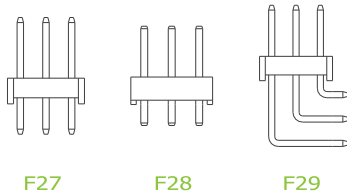
Materials

Contact Material : Phosphor Bronze
 Insulation Material : High Temperature Thermoplastic, 94V-0 Nylon

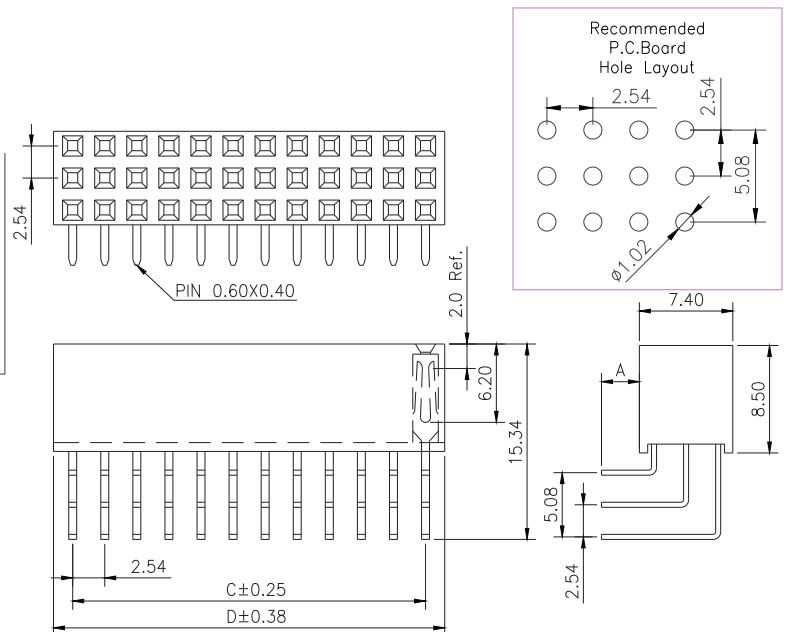
All materials must meet Greenconn's requirements for environmental protection.



Mating with



P.S. : Suggested mating pin length : 4.0 ~ 6.0 mm



For Coded Dimension Not Inside The Table, Please Refer To "Ordering Information"

No. of Pins/Row	Dimension Information		No. of Pins/Row	Dimension Information		No. of Pins/Row	Dimension Information		No. of Pins/Row	Dimension Information	
	C	D		C	D		C	D		C	V
02	2.54	5.08	11	25.40	27.94	21	50.80	53.34	31	76.20	78.74
03	5.08	7.62	12	27.94	30.48	22	53.34	55.88	32	78.74	81.28
04	7.62	10.16	13	30.48	33.02	23	55.88	58.42	33	81.28	83.82
05	10.16	12.70	14	33.02	35.56	24	58.42	60.96	34	83.82	86.36
06	12.70	15.24	15	35.56	38.10	25	60.96	63.50	35	86.36	88.90
07	15.24	17.78	16	38.10	40.64	26	63.50	66.04	36	88.90	91.44
08	17.78	20.32	17	40.64	43.18	27	66.04	68.58	37	91.44	93.98
09	20.32	22.86	18	43.18	45.72	28	68.58	71.12	38	93.98	96.52
10	22.86	25.40	19	45.72	48.26	29	71.12	73.66	39	96.52	99.06
			20	48.26	50.80	30	73.66	76.20	40	99.06	101.60

Ordering Information

Standard Packaging : Tube

CSHB3	<input type="checkbox"/> <input type="checkbox"/>	-	<input type="checkbox"/> <input type="checkbox"/>	<input type="checkbox"/> <input type="checkbox"/>	<input type="checkbox"/> <input type="checkbox"/> <input type="checkbox"/>	R1AC
	Height Option (H)		No. of Pins per Row	Standard Plating	Pin Length (A)	
	<input type="checkbox"/> 01		<input type="checkbox"/> 02	<input type="checkbox"/> 02 : Gold Flash	<input type="checkbox"/> 001 : A=3.00	
			<input type="checkbox"/> 40	Selective Plating		
				<input type="checkbox"/> 01 : Tin		
				<input type="checkbox"/> 05 : Gold Flash / Tin		
					For special length requirement Please contact our sales personnel	